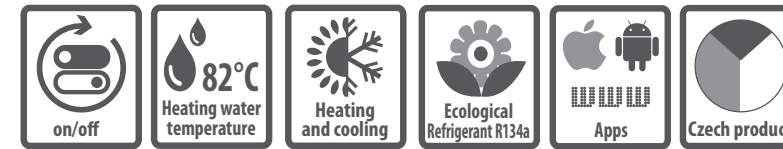
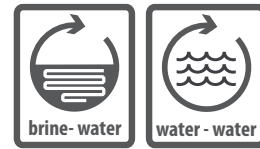


AQ ZHX

FOR COOLING AND HEAT RECOVERY



Model	B0W35		W10/W35		W40/W65		Max. heating water temperature (°C)	Circuit breaker	Compressor	Refrigerant	Weight (kg)	Leakage control of refrigerant circuit EP 517/2014
	Power kW	COP	Power kW	COP	Power kW	COP						
AQ40ZHX	13,80	3,94	19,62	5,57	38,56	5,92	82	3x20A"C"	scroll 3x400 V	R134a 4,2 kg	230	no
AQ50ZHX	18,59	4,19	26,1	5,82	51,30	6,19	82	3x25A"C"	scroll 3x400 V	R134a 4,4 kg	230	no
AQ60ZHX	23,39	4,09	32,91	5,61	63,58	5,76	82	3x32A"C"	scroll 3x400 V	R134a 4,4 kg	230	no
AQ75ZHX	28,24	4,13	39,47	5,67	76,31	5,86	82	3x40A"C"	scroll 3x400 V	R134a 6,0 kg	400	no
AQ100.2ZHX	37,18	4,09	52,21	5,69	96,78	5,78	82	3x50A"C"	scroll 3x400 V	R134a 10 kg	400	yes

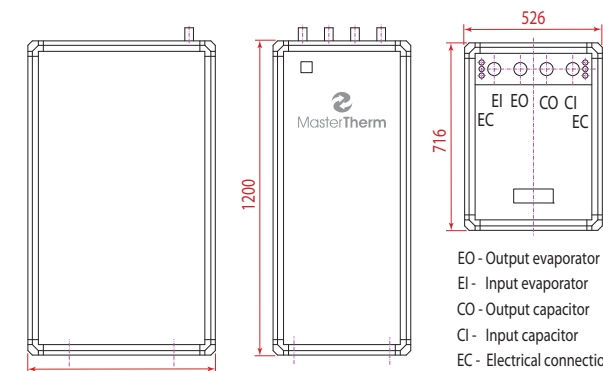
Options	Order code
Internet connection - WIFI, ethernet, only with touch screen pGDx	10ICON
Desuperheater for highly efficient SHW heating	10DESUP
Extended control module (up to 6 heating circuits + SHW, for PLUS v. only)	10EK
Energy meter 3x65A, display, MID	10EM65AMID
Silver colour RAL 9006	
RAL 9006	

- Standard equipment**
- ✓ Built-in circulation pumps
 - ✓ Cascade control Master Lan
 - ✓ pGDx touch screen with room thermostat functionality
 - ✓ Electronically controlled coolant injection
 - ✓ Built-in electrical switchboard with component protection

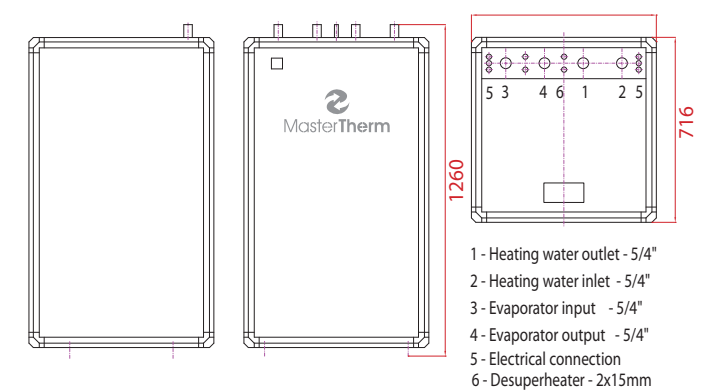
- Features**
- ▶ The temperature of heating water to 82 °C
 - ▶ The temperature of source water 45 °C
 - ▶ Easy installation
 - ▶ Very quiet operation
 - ▶ Control up to 6 heating circuits
 - ▶ Possibility of remote control and monitoring
 - ▶ Communication protocol ModBUS RTU



Dimensions and connections: AQ40ZHX – AQ50ZHX



Dimensions and connections: AQ60ZHX



Dimensions and connections: AQ75ZHX – AQ100ZHX

